

DRAGA 1000 JET SUCTION DREDGER



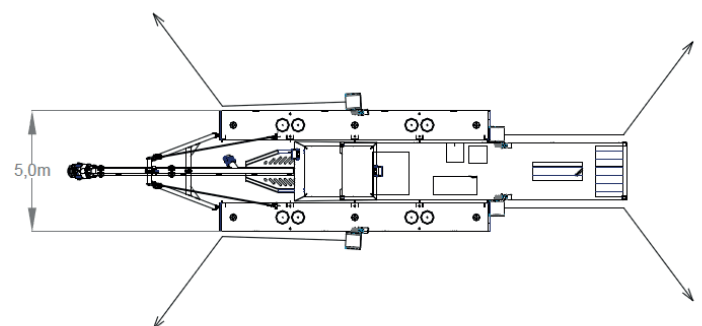
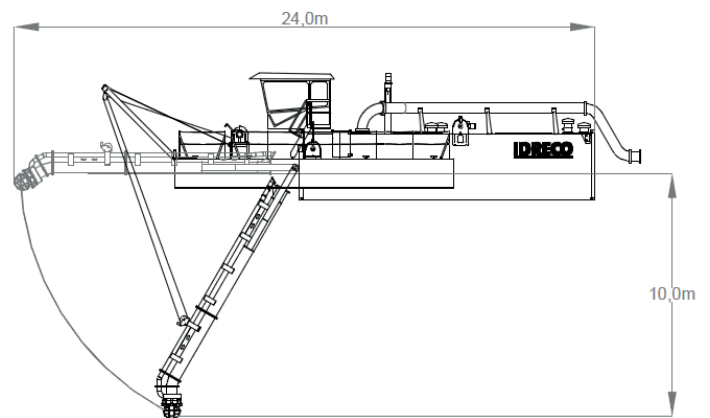
INNOVATIVE – SUSTAINABLE – ROBUST

—— **Electric-driven:** lowest cost per cubic meter. No emission, minimal noise pollution.

—— In-house **iPump®** line: developed through sixty years of experience in sand- and gravel extraction. Wear resistant for increased life span, optimal suction characteristics, adaptable for a wide range of tasks.

—— In-house **iDredge® control- and automation system:** ensuring increased efficiency and reduced power consumption. Optional: remote controlled dredge systems and data collection for automated analyses on performance.

—— **Containerized** for low-cost transportation worldwide and inland delivery to remote locations. Relocation facilitated through the iPlug-and-Dredge Concept. **Modular** design for industry-leading delivery times and continuous **availability of spare parts.**



DRAGA 1000 JET SUCTION DREDGER

TECHNICAL SPECIFICATIONS

FEATURES

- Transportable by three shipping containers
- Efficient Electric Drive System
- Small Environmental Footprint
- Low Noise & Vibration Level
- One-man Operation

DREDGING FEATURES

Max. Dredging Depth:	10	[m]
Nominal Mixture Flow:	1000 – 2400	[m ³ /h]
Available Suction Diameter:	300 – 450	[mm]
Available Discharge Diameter:	250 – 400	[mm]
Available Dredge Pump Sizes:	300 / 350 / 400	[mm]
Min. Spherical Pump Passage:	160	[mm]

DREDGE PUMP DRIVE

Power Source:	Electric feed cable
Reduction drive:	V-belt
Available Dredge Pump Power:	315 / 400 / 500 [kW]

JET PUMP

Jet Pump Flow:	230 / 280	[m ³ /h]
Jet Pump Pressure:	8	[bar]
No. Jet Nozzles:	8	[pcs]

PRINCIPLE DIMENSIONS

Length o.a. with raised ladder:	24	[m]
Length over pontoons:	17.5	[m]
Width:	5	[m]
Depth:	1.5	[m]
Draught:	1	[m]
Main Pontoon LxWxH:	12 x 2.5 x 2.8	[m]
Side Pontoons LxWxH:	11,5 x 1.25 x 1.5	[m]
Total dry weight:	50	[ton]
Air draught:	4.2	[m]

ELECTRIC INSTALLATION

Primary Voltage:	6 / 10	[kV]
Secondary Voltage (3-Phase):	400	[Vac]
Dredge Pump Power Source:	VFD	
Jet Pump Power Source:	Soft starter / VFD	
Mooring Winches:	DOL starter	

DECK INSTALLATION

Suction Tube Hoisting Winch (Electric):	25	[kN]
Mooring Winches (Electric):	30	[kN]
Mooring Winch Wire Capacity:	200	[m]

DECK CRANE

Lifting Capacity:	15	[kN]
Outreach:	2.2	[m]

TOOLS

- Special tools are supplied for maintenance of dredge pump

INSTRUMENTATION

- **iDredge**[®] Dredger Control System
- Dredging Depth indication
- Vacuum and Pressure Indication of Dredge Pump

OPTIONAL EQUIPMENT

- DGPS Dredge Mining Control System
- Production Measurement
- Discharge Velocity Measurement
- Additional Hydraulic Excavation Head
- Wedge piece for small min. Dredging depths
- Floating discharge pipe line
- Floating high voltage supply cable
- Remote dredge monitoring
- Direct drive PM motor